

Scroll Compressor for Air Conditioning



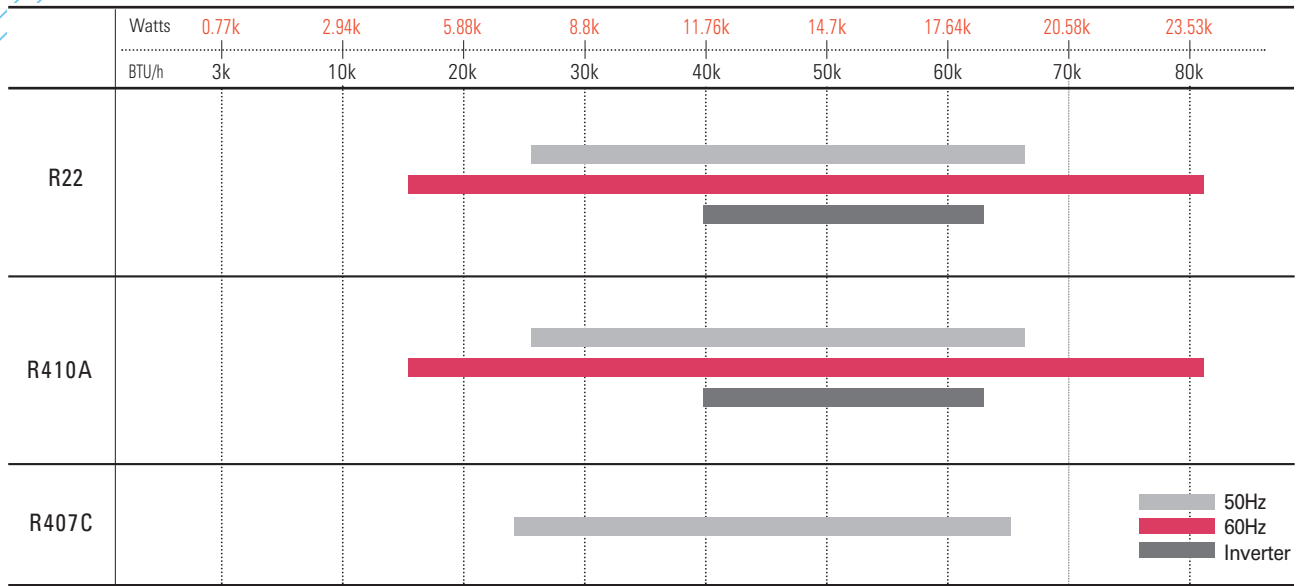
● Product Line-up Range	37
● Model Name code : Engineering Code	37
● Scroll Compressor
- Unitary Scroll	38
- Scroll [R410A 60Hz] Unitary for North America	39
- BLDC Inverter Scroll	40
- Scroll [R410A, 60Hz] for North America	41
- Scroll [R410A, 50Hz] for Europe	42
- Scroll for [R22 50Hz] China/Asia/Latin America/India	44
- Scroll [R22 60Hz] for Asia/Brazil	45
- V- Scroll	48
- 고압식 Scroll [R22 60Hz]	49
- Large Scroll	50

Brief History

- 1995** Developed Scroll Compressor
- 1997** Started Scroll Compressor Production
- 2000** Developed Scroll AC Inverter Compressor
- 2001** Developed R407C Scroll Compressor
- 2003** Developed R410A Scroll Compressor
- 2004** Developed R410A Hi-EER Scroll Compressor
Developed New frame Scroll Compressor (SB series)
- 2005** Developed R410A AC Inverter Scroll Compressor
- 2006** U.S. Unitary, Scroll Compressor Launching
- 2008** Developed Unitary R410A Scroll
- 2009** Developed V-Scroll Compressor
- 2010** Developed 15RT Large Scroll
Developed R410A Unitary BLDC Scroll

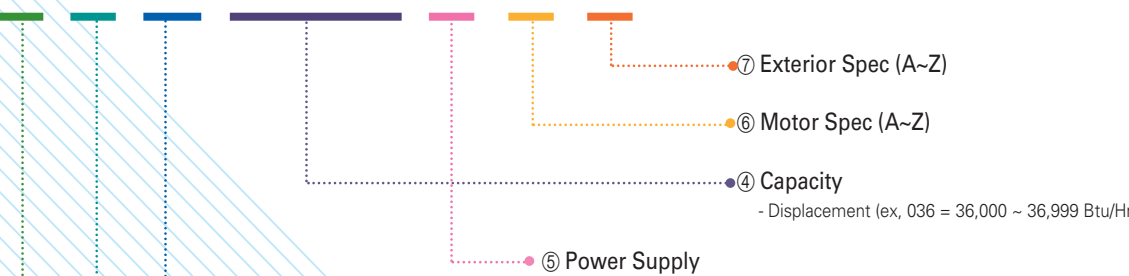


Product Range



Model Name Code

A B A 0 3 6 K A A



③ Generation Code

Type	Series	Ref
LSS	A	Hi-EER
HSS	A	With Gas Injection
	B	Without Gas Injection

Series	Ph	Power Source(V)	Hz
D	3	BLDC Inv.	—
K	1	208~230	60
N	3	SynRM Inv.	—
P	1	220~240	50
R	3	220	60
S	3	460	60

Series	Ph	Power Source(V)	Hz
T	3	575	60
U	3	380	60
V		AC Inverter	
W	3	380/50, 460/60	
Y	3	380~420	50

② Comp Size

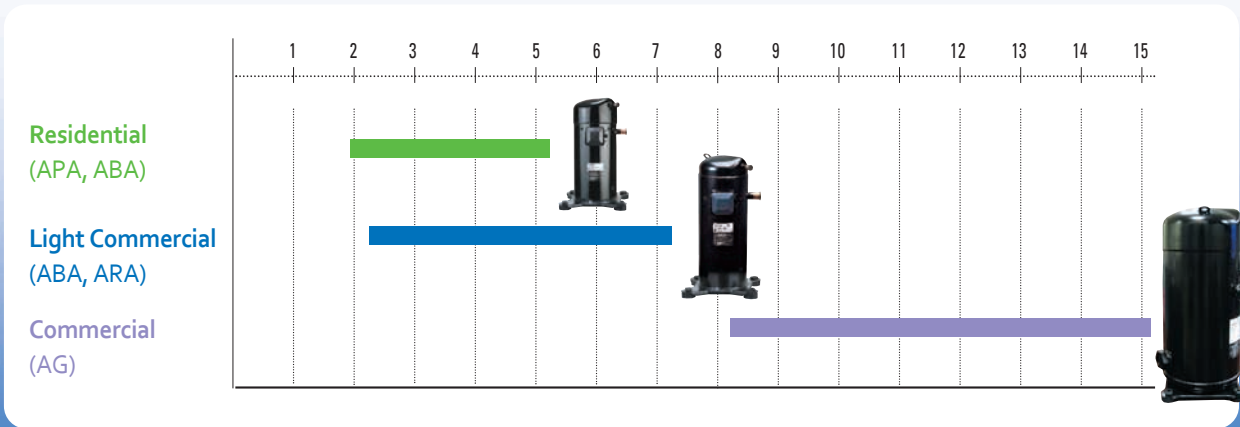
- P : ϕ139
- Q : ϕ147
- B : ϕ160
- R : ϕ179
- G : ϕ224

① Refrigerant

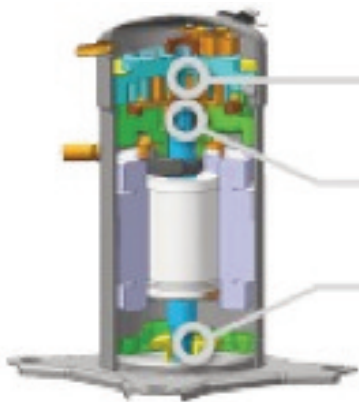
Type	Series	Ref
LSS	S	R22
	H	R407C
	A	R410C
HSS	J	R410A

UNITARY Scroll

■ Product Line - Up



■ LG's Unique Technology



High EER for Unitary

Scroll technology for R410a Unitary system
Optimized performance in low load condition

Superior Mechanism

Soft Start
Safe for Liquidized refrigerant

Reliable Technology for Unitary

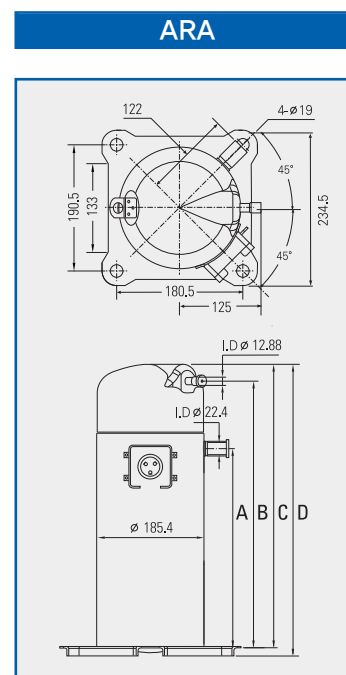
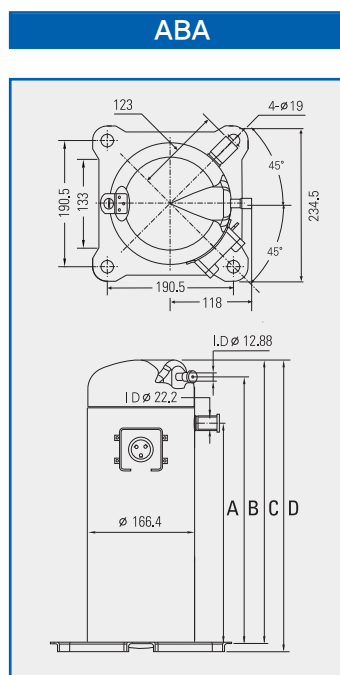
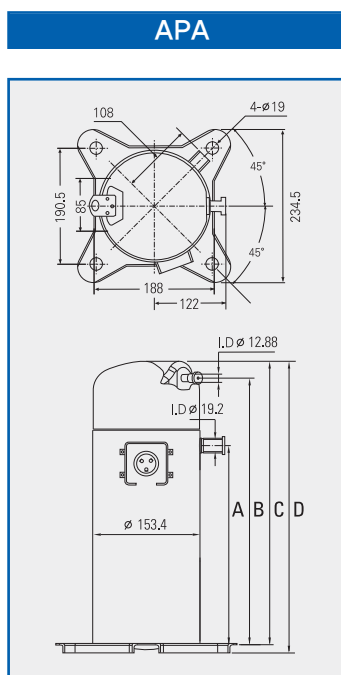
High Reliable Oil
Quality approval from all operating conditions in N. A.

Residential – Constant Speed

Power Source	Model	COND:54.4°C / EVA:7.2°C					COND:37.8°C / EVA:7.2°C					Dimensions (Inch)			
		Cooling Capacity		EER		Input	Cooling Capacity		EER		Input				
		Btu/hr	Watts	Btu/W.hr	w/w	w	Btu/W.hr	w	Btu/W.hr	w/w	w				
1PH, 208-230V 60Hz	APA016KAA	15,200	4,455	9.3	2.73	1,634	18,700	5,481	17.3	5.07	1,081	9.83	14.93	16.01	16.41
	APA020KAA	19,500	5,715	9.7	2.84	2,010	24,000	7,034	18.0	5.28	1,333	9.83	14.93	16.01	16.41
	APA024KAA	22,500	6,594	10.0	2.93	2,250	27,675	8,111	18.3	5.36	1,512	9.83	14.93	16.01	16.41
	APA026KAA	24,500	7,181	10.0	2.93	2,450	30,100	8,822	18.3	5.36	1,645	9.83	14.93	16.01	16.41
	APA029KAA	28,500	8,353	10.0	2.93	2,850	35,055	10,274	18.7	5.48	1,875	9.83	14.93	16.01	16.41
	APA032KAA	30,500	8,939	10.1	2.96	3,020	38,300	11,225	19.2	5.63	1,995	9.83	14.93	16.01	16.41
	ABA034KAA	34,500	10,111	10.2	2.99	3,382	42,700	12,515	19.2	5.63	2,224	11.69	16.37	17.68	18.23
	ABA036KAA	36,500	10,698	10.4	3.05	3,510	45,000	13,189	19.4	5.69	2,320	11.69	16.37	17.68	18.23
	ABA039KAA	39,500	11,577	10.5	3.08	4,048	52,000	15,240	19.4	5.69	2,680	11.69	16.37	17.68	18.23
	ABA042KAA	42,500	12,456	10.5	3.08	4,048	52,000	15,240	19.4	5.69	2,680	11.69	16.37	17.68	18.23
	ABA049KAA	42,500	12,456	10.5	3.08	4,048	52,000	15,240	19.4	5.69	2,680	11.69	16.37	17.68	18.23
	ABA051KAA	51,500	15,094	10.6	3.11	4,858	63,000	18,464	19.5	5.72	3,231	11.69	16.37	17.68	18.23
	ABA054KAA	54,000	15,826	10.5	3.08	5,143	66,500	19,490	19.3	5.66	3,446	11.69	16.37	17.68	18.23

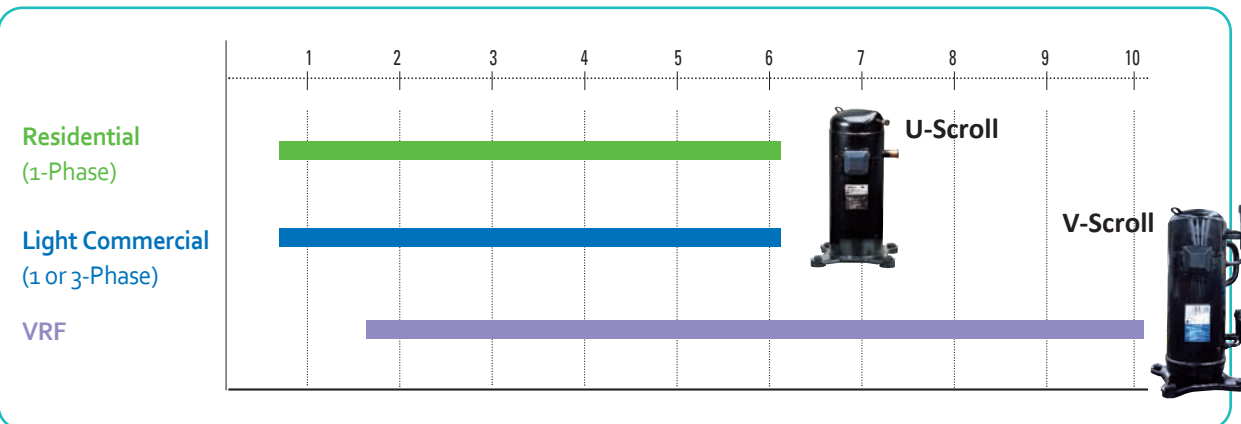
Commercial – Constant Speed

Power Source	Model	COND:54.4°C / EVA:7.2°C					COND:37.8°C / EVA:7.2°C					Dimensions (Inch)			
		Cooling Capacity		EER		Input	Cooling Capacity		EER		Input				
		Btu/hr	Watts	Btu/W.hr	w/w	w	Btu/W.hr	w	Btu/W.hr	w/w	w				
3PH, 220V 60Hz	ABA051RAA	51,500	15,094	10.7	3.14	4,813	63,000	18,464	19.7	5.77	3,198	11.69	16.37	17.68	18.23
	ARA061RAA	61,500	18,025	10.2	2.99	6,029	—	—	—	—	—	12.00	16.59	17.73	18.28
3PH, 480V 60Hz	ABA051WAA	51,500	15,094	10.7	3.14	4,813	63,000	18,464	19.7	5.77	3,198	11.69	16.37	17.68	18.23
	ABA054WAA	54,000	15,826	10.5	3.08	5,143	66,500	19,490	19.5	5.72	3,410	11.69	16.37	17.68	18.23
	ARA073WAA	75,500	22,128	10.8	3.17	6,990	92,000	26,964	18.8	5.51	4,893	12.80	17.20	18.34	18.89
	ARA081WAA	83,000	24,326	10.7	3.14	7,757	100,000	29,308	18.8	5.51	5,319	12.80	17.20	18.34	18.89
3PH, 575V 60Hz	ABA051TAA	51,000	14,947	10.6	3.11	4,811	63,00.0	18,464	19.7	5.77	3,198	11.69	16.37	17.68	18.23



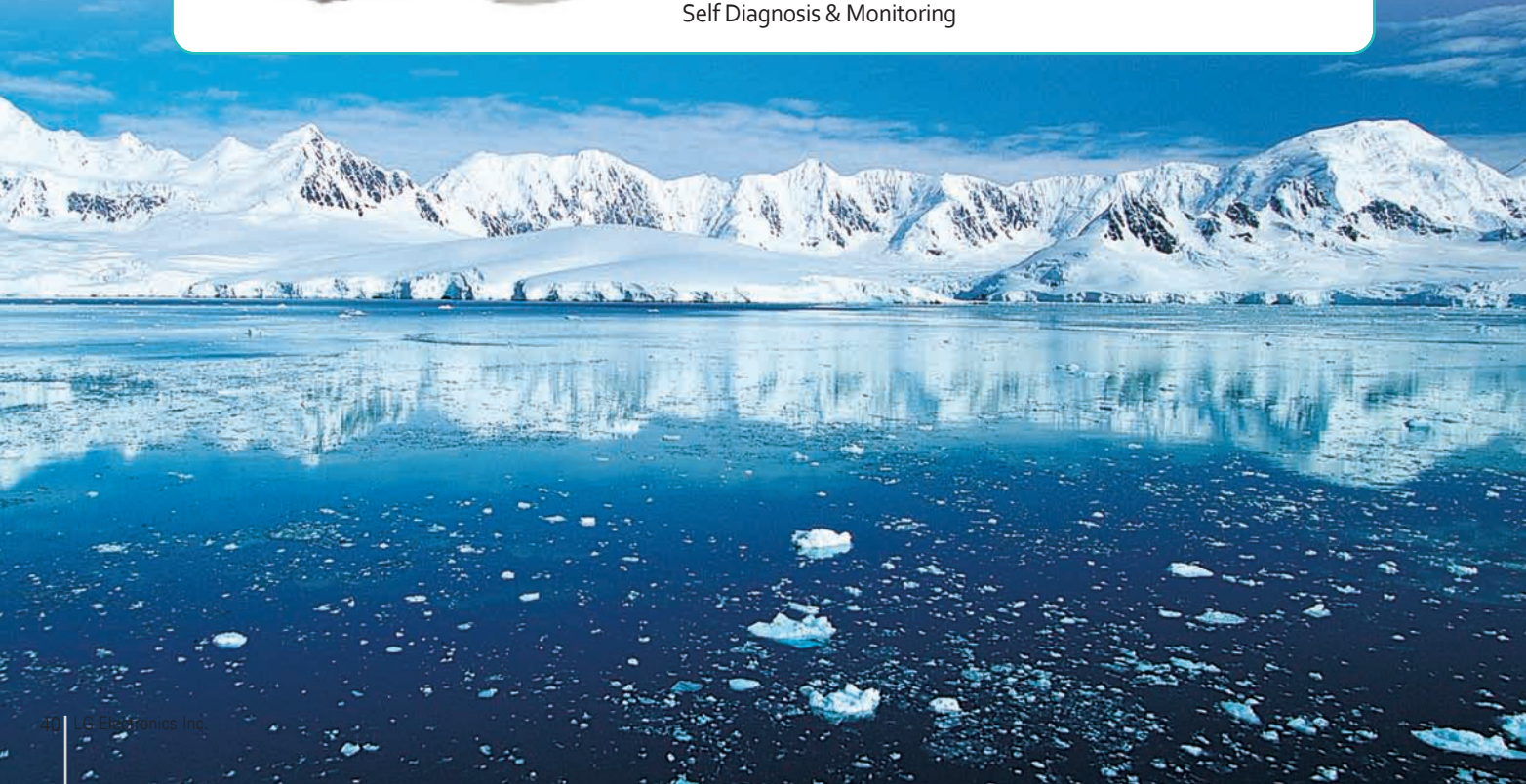
BLDC Inverter Scroll

■ Product Line - Up



■ LG's Unique Technology

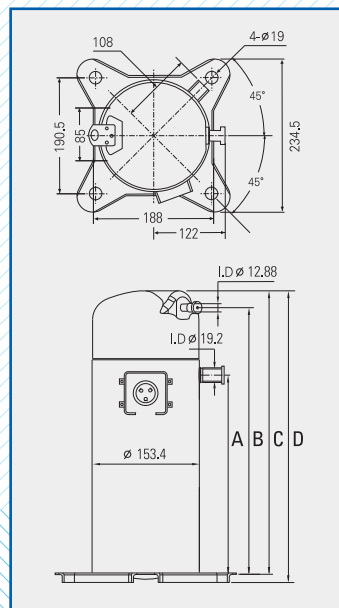
- **Suitable for High SEER Unitary**
 High SEER mechanism in Low Load
 LG's Unique Oil supply system
- **High Technology BLDC Motor**
 Achieve High efficiency in Low Hz
 BLDC Motor technology from VRF
- **Inverter Total Solution for Unitary**
 Provide Inverter Drive
 Easy to Apply & Install in System
 Self Diagnosis & Monitoring



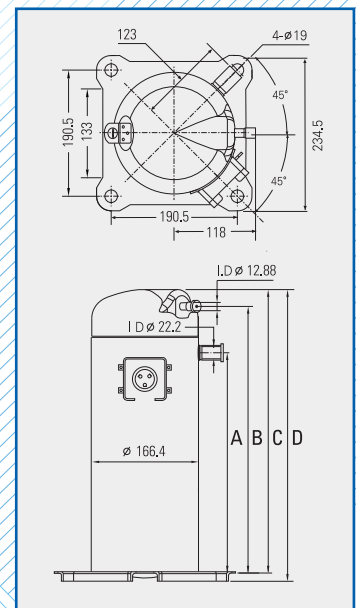
Inverter

Power Source	Model	COND:54.4°C / EVA:7.2°C					COND:37.8°C / EVA:7.2°C					Dimensions (Inch)			
		Cooling Capacity		EER		Input	Cooling Capacity		EER		Input				
		Btu/hr	Watts	Btu/W.hr	w/w	w	Btu/W.hr	w	Btu/W.hr	w/w	w	A	B	C	D
1PH, 230V 20-70Hz	APA020DAA	20,000	5,862	10.3	3.02	1,942	24,000	7,034	19.8	5.80	1,212	9.83	14.93	16.01	16.41
	APA026DAA	26,000	7,620	10.3	3.02	2,524	31,500	9,232	20.0	5.86	1,575	9.83	14.93	16.01	16.41
	APA032DAA	32,000	9,379	10.5	3.08	3,048	39,000	11,430	20.2	5.92	1,931	9.83	14.93	16.01	16.41
	ABA051DAA	52,000	15,240	10.8	3.17	4,815	63,500	18,611	20.3	5.95	3,128	11.69	16.37	17.68	18.23
3PH, 230V 20-70Hz	ABA051DBA	52,000	15,240	10.8	3.17	4,815	63,500	18,611	20.3	5.95	3,128	11.69	16.37	17.68	18.23
3PH, 460V/570V 20-70Hz	ABA051DCA	52,000	15,240	10.8	3.17	4,815	63,500	18,611	20.3	5.95	3,128	11.69	16.37	17.68	18.23
3PH, 380V 25-105Hz	ABA042DAA	44,500	13,042	10.5	3.08	4,238	-	-	-	-	-	11.69	16.37	17.68	18.23

APA



ABA



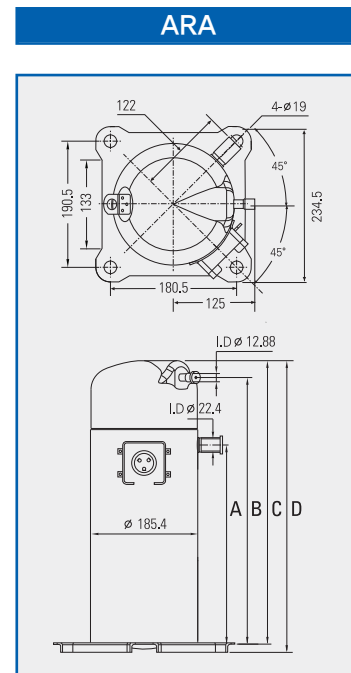
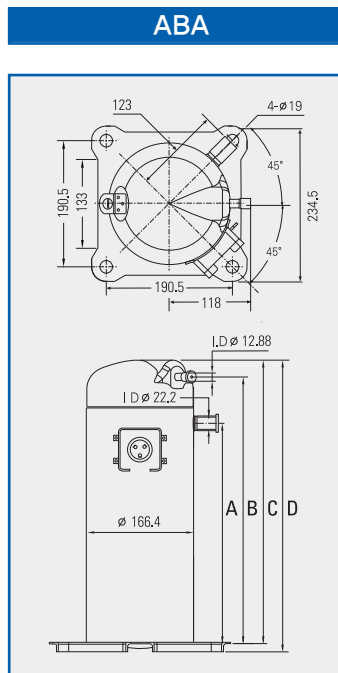
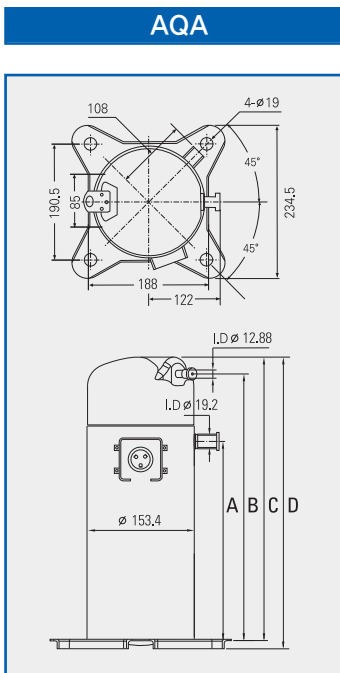
Scroll [R410A 50Hz] for Europe

■ Features

- Self Protection for pressure & temperature
- Cooling and Heating Application
- Convenient Installment



Power Source	Model	COND:54.4°C / EVA:7.2°C					COND:37.8°C / EVA:7.2°C					Dimensions (Inch)			
		Cooling Capacity		EER		Input	Cooling Capacity		EER		Input				
		Btu/hr	Watts	Btu/W.hr	w/w	w	Btu/W.hr	w	Btu/W.hr	w/w	w				
1PH, 220-240V	AQA028PAA	23,265	6,819	9.10	2.67	2,557	—	—	—	—	—	265.6	381.5	404.7	415.1
	AQ036PAA	29,700	8,705	9.10	2.67	3,264	—	—	—	—	—	265.6	381.5	404.7	415.1
	AQA042PAA	34,403	10,083	9.10	2.67	3,781	—	—	—	—	—	265.6	381.5	404.7	415.1
	ARA049PAA	41,500	12,163	9.70	2.84	4,280	—	—	—	—	—	304.7	421.3	450.3	464.3
3PH, 380-420V	AQ042YAA	34,900	10,229	9.75	2.86	3,579	—	—	—	—	—	265.6	381.5	404.7	415.1
	ARA049YAA	42,000	12,309	10.20	2.99	4,118	—	—	—	—	—	304.7	421.3	450.3	464.3
	ARA053YAA	45,000	13,189	10.30	3.02	4,370	—	—	—	—	—	304.7	421.3	450.3	464.3
	ABA051YAA	42,500	12,456	10.60	3.11	4,009	52,000	15,240	19.9	5.83	2,613	296.9	415.8	449.1	463.1
	ABA054YAA	44,500	13,042	10.40	3.05	4,280	55,500	16,266	19.5	5.72	2,845	296.9	415.8	449.1	463.1
	ABA054WAA	44,400	13,013	10.20	2.99	4,353	55,000	16,120	19.5	5.72	2,820	297.0	415.8	449.0	463.0
	AR061YAA	50,100	14,683	9.40	2.75	5,330	—	—	—	—	—	304.7	421.3	450.3	464.3
	ARA061YAA	51,500	15,094	10.20	2.99	5,049	—	—	—	—	—	304.7	421.3	450.3	464.3
	ARA068YAA	58,500	17,145	10.30	3.02	5,680	—	—	—	—	—	304.7	421.3	450.3	464.3
	AR073YAA	61,000	17,878	9.70	2.84	6,289	—	—	—	—	—	304.7	421.3	450.3	464.3
	ARA073YAA	62,000	18,171	10.30	3.02	6,020	—	—	—	—	—	304.7	421.3	450.3	464.3
	ARA073YBA	61,500	18,025	10.50	3.08	5,860	76,000	22,274	19.0	5.57	4,000	304.7	421.3	450.3	464.3
	ARA073WAA	62,000	18,171	10.70	3.14	5,794	75,500	22,128	18.9	5.54	3,994	325.2	436.9	465.8	479.8
	AR081YAA	68,300	20,018	9.70	2.84	7,041	—	—	—	—	—	304.7	421.3	450.3	464.3
	ARA081YAA	68,500	20,076	10.20	2.99	6,716	—	—	—	—	—	304.7	421.3	450.3	464.3
	ARA081YBA	67,500	19,783	10.50	3.08	6,425	83,300	24,414	19.0	5.57	4,385	304.7	421.3	450.3	464.3
	ARA081WAA	68,000	19,930	10.70	3.14	6,355	83,500	24,472	18.8	5.51	4,441	325.2	436.9	465.8	479.8



■ Tandem Features

High Performance

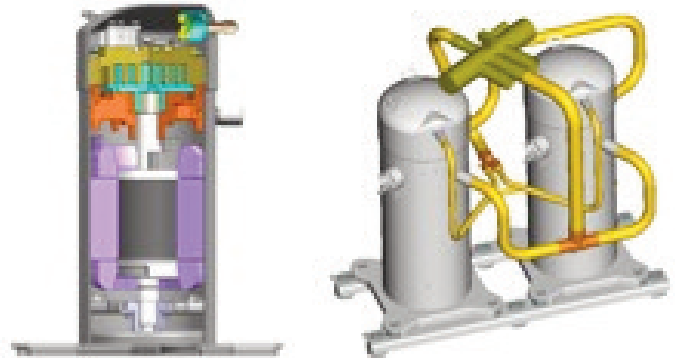
- Optimal Modulation for High SEER
(SEER : Seasonal Energy Efficiency Rates)

High Reliability

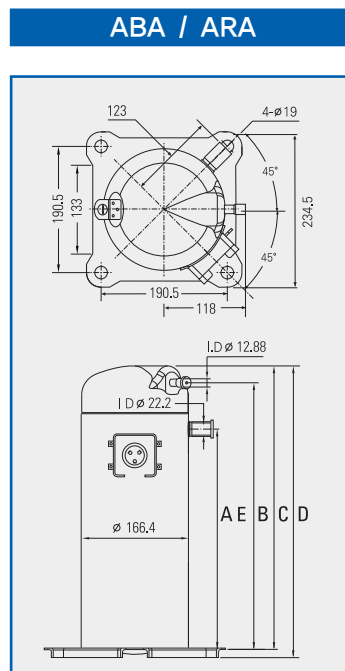
- Symmetric Suction Design for stable Pressure Pulsation
- Gas and Oil Equalization lines to ensure equal oil distribution at any operating conditions
- Hard Mounting of Grommet for Minimize Vibration

Easy Installation

- Compact Size and ease of assembly



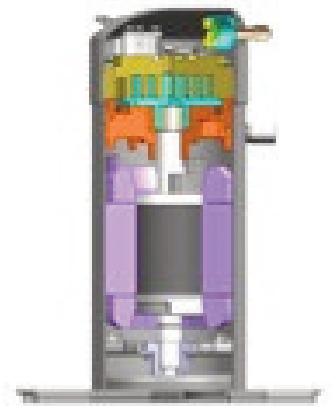
Power Source	Model	COND:54.4°C / EVA:7.2°C				COND:37.8°C / EVA:7.2°C				Dimensions (Inch)				
		Cooling Capacity		EER		Cooling Capacity		EER						
		Btu/hr	Watts	Btu/W.hr	w/w	Btu/W.hr	w	Btu/W.hr	w/w	A	B	C	D	E
3PH, 380-420V	ABA054WAA	44,400	13,012	10.20	2.99	55000	16119	19.5	5.71	297.0	415.8	449.0	463.0	297.0
	ARA073WAA	62,500	18,317	10.70	3.14	76000	22273	18.9	5.54	325.2	436.9	465.8	479.8	325.2
	ARA081WAA	68,000	19,929	10.70	3.14	83000	24325	18.9	5.54	325.2	436.9	465.8	479.8	325.2



Scroll for [R22 50Hz] China/Asia/Latin America/India

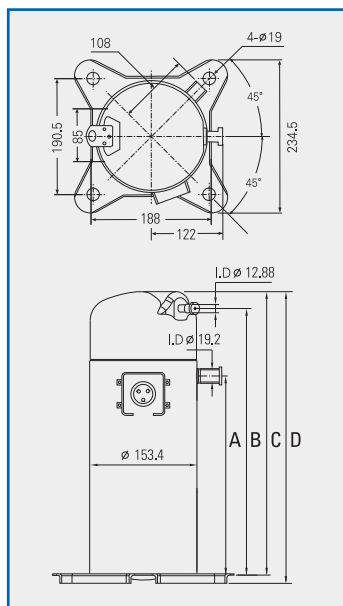
■ Features

- Self Protection for pressure & temperature
- Cooling and Heating Application
- Convenient Installment

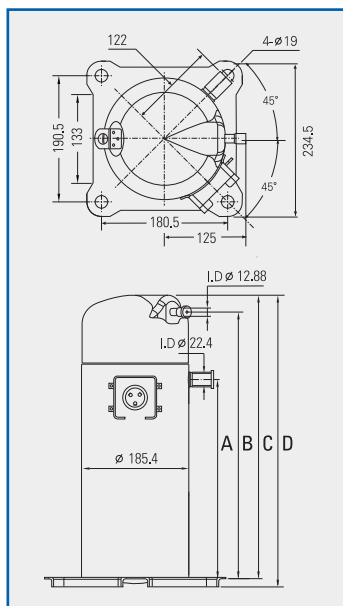


Power Source	Model	COND:54.4°C / EVA:7.2°C					Dimensions (Inch)			
		Cooling Capacity		EER		Input	A	B	C	D
		Btu/hr	Watts	Btu/W.hr	w/w	w				
1PH, 220-240V	SQ028PBA	24,000	7,034	10.7	3.14	2,243	265.6	381.5	404.7	415.1
	SQ032PCB	27,000	7,913	10.8	3.17	2,500	265.6	381.5	404.7	415.1
	SQ040PAA	33,000	9,672	11.0	3.22	3,000	265.6	381.5	404.7	415.1
	SQ042PBA	34,200	10,023	10.9	3.19	3,138	265.6	381.5	404.7	415.1
	SQ042PCA	34,300	10,053	10.4	3.05	3,295	265.6	381.5	404.7	415.1
3PH, 380-420V	SQ042YAA	34,000	9,965	10.8	3.17	3,148	265.6	381.5	404.7	415.1
	SR049YAA	41,500	12,163	10.9	3.19	3,807	292.0	404.0	432.0	446.0
	SR055YAB	46,500	13,628	11.0	3.22	4,227	292.0	404.0	432.0	446.0
	SB061YAA	50,800	14,889	10.9	3.19	4,660	304.8	410.7	433.5	447.5
	SR061YAA	49,500	14,508	11.0	3.22	4,500	292.0	404.0	432.0	446.0
	SR073YAA	58,500	17,145	11.0	3.22	5,320	304.7	421.3	450.3	464.3
	SR081YAB	64,000	18,757	10.7	3.14	5,981	304.7	421.3	450.3	464.3
	SBA061YAA	50,800	14,889	11.6	3.40	4,379	304.8	410.7	433.5	447.5
	SBA055YAA	45,800	13,423	11.6	3.40	3,948	304.8	410.7	433.5	447.5

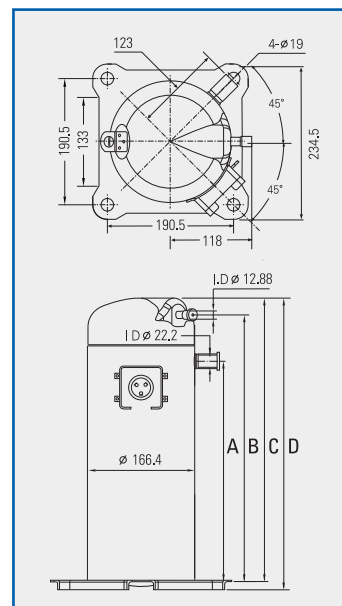
SQ



SR

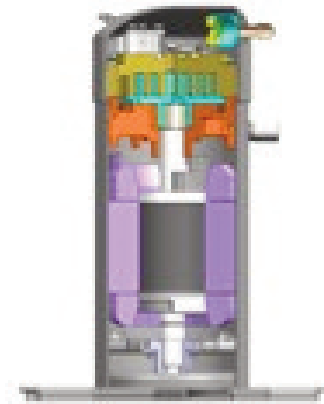


SB



■ Features

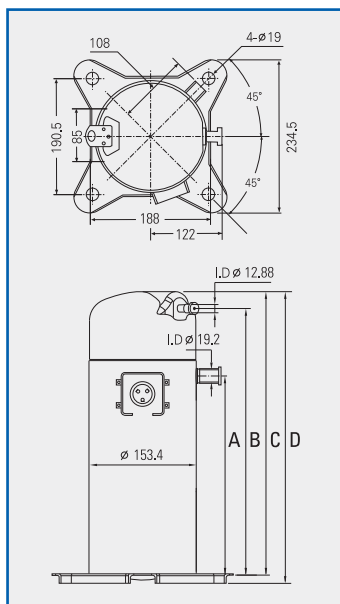
- Self Protection for pressure & temperature
- Cooling and Heating Application
- Convenient Installment



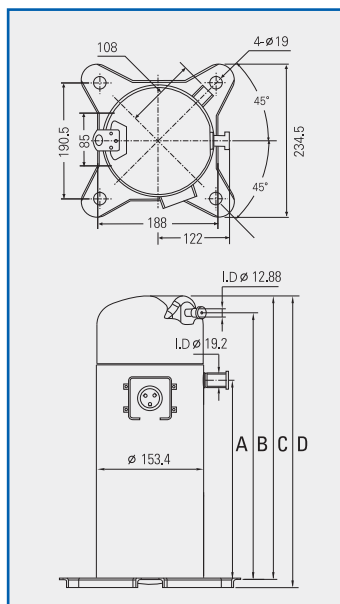
Unitary

Power Source	Model	COND:54.4°C / EVA:7.2°C					Dimensions (Inch)			
		Cooling Capacity		EER		Input	A	B	C	D
		Btu/hr	Watts	Btu/W.hr	w/w	w				
1PH, 208-230V	SPA018KAA	18,000	5,275	11.30	3.31	1,593	249.7	379.2	406.7	416.8
	SQA022KAA	21,500	6,301	11.00	3.22	1,955	282.8	381.5	418.9	429.3
	SQA026KAA	25,900	7,591	11.00	3.22	2,355	282.8	381.5	418.9	429.3
	SQA032KAA	32,300	9,467	11.10	3.25	2,910	282.8	381.5	418.9	429.3
	SQA038KAA	37,000	10,844	11.10	3.25	3,333	282.8	381.5	418.9	429.3
	SQA042KAA	41,200	12,075	11.10	3.25	3,712	282.8	381.5	418.9	429.3
	SRA053KAA	53,500	15,680	11.30	3.31	4,734	292.0	404.0	432.0	446.0

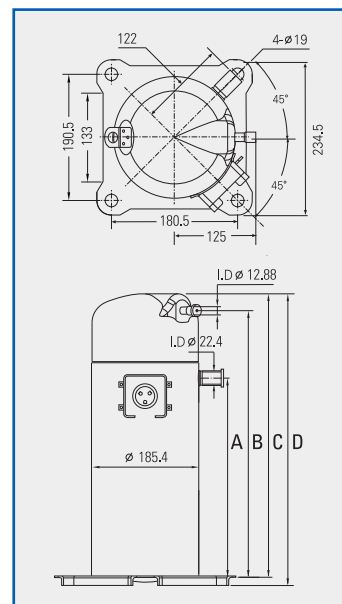
SPA



SQA



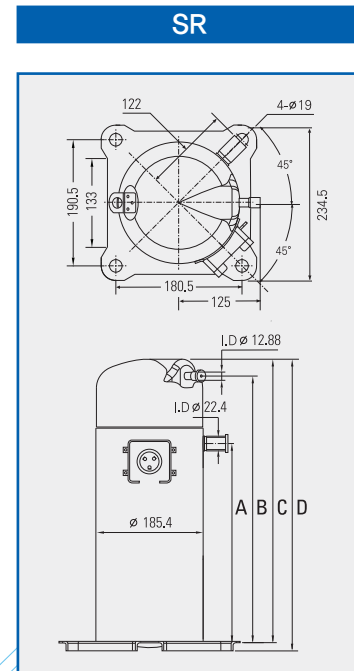
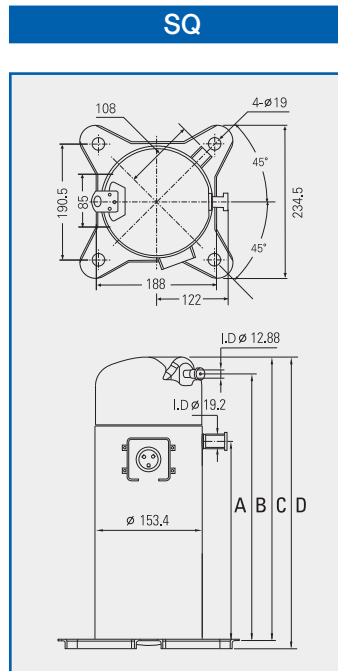
SRA



Scroll [R22 60Hz] for Asia/Brazil

Standard EER

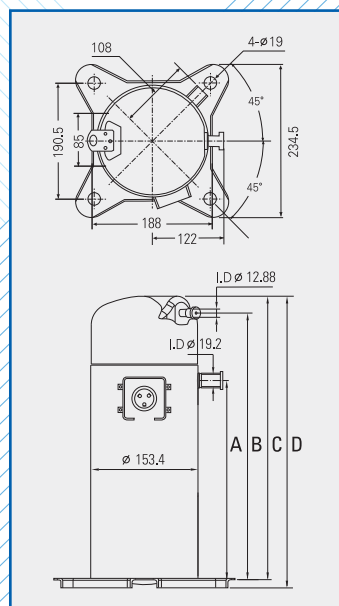
Power Source	Model	COND:54.4°C / EVA:7.2°C					Dimensions (Inch)			
		Cooling Capacity		EER		Input				
		Btu/hr	Watts	Btu/W.hr	w/w	w	A	B	C	D
1PH, 208-230V	SQ028KCA	28,500	8,353	11.20	3.28	2,545	265.6	381.5	404.7	415.1
	SQ032KBA	32,200	9,437	10.90	3.19	2,955	265.6	381.5	404.7	415.1
	SQ034KAA	34,440	10,094	10.90	3.19	3,157	265.6	381.5	404.7	415.1
	SQ036KEA	36,600	10,727	11.40	3.34	3,210	265.6	381.5	404.7	415.1
	SQ036KFA	36,100	10,580	10.90	3.19	3,311	265.6	381.5	404.7	415.1
	SQ038KAC	38,000	11,137	10.70	3.14	3,551	265.6	381.5	404.7	415.1
1PH, 208-230V	SQ042KAA	40,500	11,870	10.80	3.17	3,750	265.6	381.5	404.7	415.1
	SR047KBC	47,600	13,951	11.00	3.22	4,327	292.0	404.0	432.0	446.0
	SR049KAB	50,500	14,801	11.00	3.22	4,591	292.0	404.0	432.0	446.0
	SR057KCB	58,000	16,999	10.80	3.17	5,370	292.0	404.0	432.0	446.0
	SR061KAD	62,000	18,171	11.00	3.22	5,636	292.0	404.0	432.0	446.0
3PH, 220V	SQ036RAA	35,500	10,404	10.80	3.17	3,287	265.6	381.5	404.7	415.1
	SQ042RAA	40,500	11,870	10.90	3.19	3,716	265.6	381.5	404.7	415.1
	SR049RAA	49,500	14,508	10.70	3.14	4,625	292.0	404.0	432.0	446.0
	SR053RAA	53,000	15,533	10.80	3.17	4,907	292.0	404.0	432.0	446.0
	SR057RAA	58,000	16,999	11.10	3.25	5,223	292.0	404.0	432.0	446.0
	SR061RBA	62,000	18,171	11.20	3.28	5,535	292.0	404.0	432.0	446.0
	SR071RAC	71,000	20,809	11.00	3.22	6,455	304.7	421.3	450.3	464.3
	SR081RAA	78,000	22,860	10.90	3.19	7,156	304.7	421.3	450.3	464.3



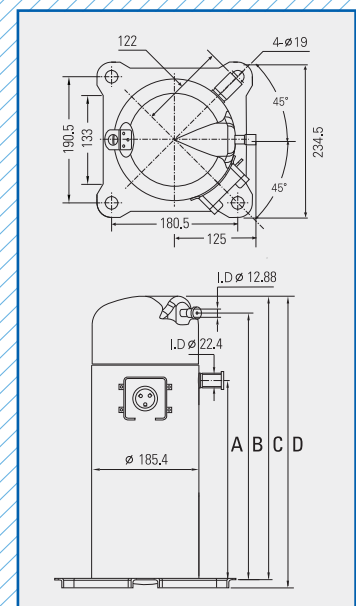
Standard EER

Power Source	Model	COND:54.4°C / EVA:7.2°C					Dimensions (Inch)			
		Cooling Capacity		EER		Input				
		Btu/hr	Watts	Btu/W.hr	w/w	w	A	B	C	D
3PH, 460V	SR049SAA	49,500	14,508	10.90	3.19	4,540	292.0	404.0	432.0	446.0
	SR061SAA	61,500	18,025	11.20	3.28	5,490	292.0	404.0	432.0	446.0
	SR073SAA	70,000	20,516	10.65	3.12	6,570	304.7	421.3	450.3	464.3
	SR081SAA	78,000	22,860	10.80	3.17	7,220	304.7	421.3	450.3	464.3
3PH, 380V	SQ028UAC	28,500	8,353	10.80	3.17	2,639	265.6	381.5	404.7	415.1
	SQ036UAC	36,000	10,551	10.80	3.17	3,333	265.6	381.5	404.7	415.1
	SQ042UAB	41,000	12,016	10.80	3.17	3,796	265.6	381.5	404.7	415.1
	SR047UAA	47,600	13,951	11.00	3.22	4,327	292.0	404.0	432.0	446.0
	SR049UBA	49,500	14,508	10.90	3.19	4,540	292.0	404.0	432.0	446.0
	SR049UCA	49,500	14,508	10.90	3.19	4,540	292.0	404.0	432.0	446.0
	SR053UAA	53,000	15,533	11.00	3.22	4,818	292.0	404.0	432.0	446.0
	SR057UAA	58,000	16,999	11.10	3.25	5,223	292.0	404.0	432.0	446.0
	SR061UAA	61,500	18,025	11.00	3.22	5,590	292.0	404.0	432.0	446.0
	SR061UBA	61,500	18,025	11.00	3.22	5,590	292.0	404.0	432.0	446.0
	SR071UAB	71,000	20,809	11.00	3.22	6,455	304.7	421.3	450.3	464.3
	SR081UAB	77,500	22,714	10.90	3.19	7,110	304.7	421.3	450.3	464.3

SQ

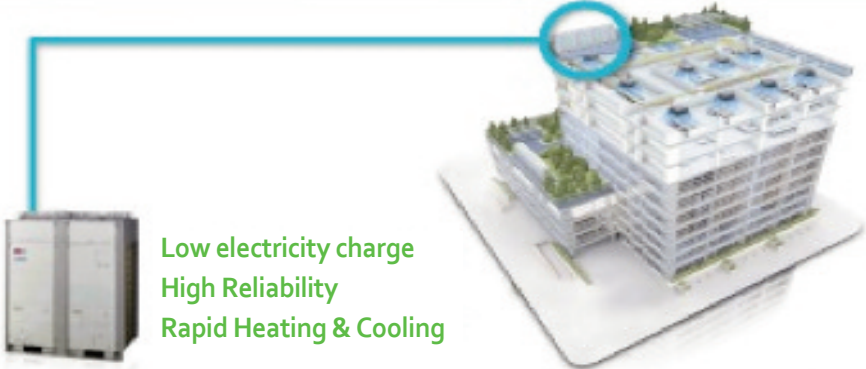


SR



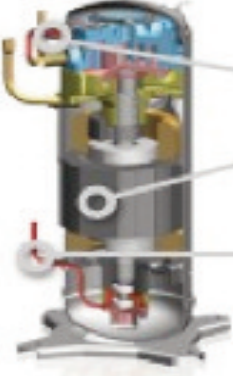
V - Scroll™

■ Product Line - Up



Low electricity charge
High Reliability
Rapid Heating & Cooling

■ LG's Unique Technology



High Side Shell & BLDC Inverter
Wide operation range
The First class of Energy Efficiency

HiPOR™ : New Oil Return Technology
No Energy by pass loss though
use the Oil separator

Vapor Injection Technology
Increase heating capacity in cold climate

Constant Speed / Standard

Power Source	Model	COND:54.4°C / EVA:7.2°C					Dimensions (Inch)				
		Cooling Capacity		EER		Input	A	B	C	D	E
		Btu/hr	Watts	Btu/W.hr	w/w	w					
3PH, 380V 60Hz	JBB071YAA	70,800	20,750	10.00	2.93	7,080	415.0	386.1	473.8	487.2	-
3PH, 380/420V 50Hz		60,000	17,585	10.00	2.93	6,000	415.0	386.1	473.8	487.2	-
3PH, 460V 60Hz	JBB071WAA	72,000	21,102	10.10	2.96	7,130	415.0	386.1	473.8	487.2	-
3PH, 380/420V 50Hz		60,000	17,585	10.00	2.93	6,000	415.0	386.1	473.8	487.2	-
3PH, 220V 60Hz	JBB071RAA	72,000	21,102	10.00	2.93	7,200	415.0	386.1	473.8	487.2	-

Constant Speed / Injection

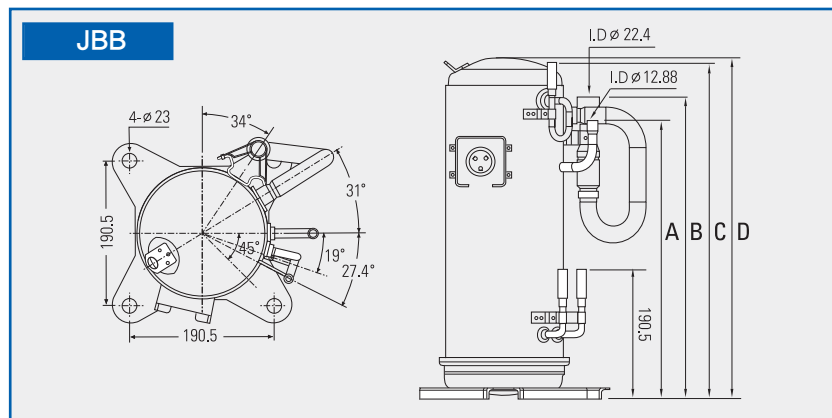
Power Source	Model	COND:54.4°C / EVA:7.2°C					Dimensions (Inch)				
		Cooling Capacity		EER		Input	A	B	C	D	E
		Btu/hr	Watts	Btu/W.hr	w/w	w					
3PH, 380V 60Hz	JBA071YAB	70,800	20,750	10.00	2.93	7,080	415.0	386.1	473.8	487.2	432.5
3PH, 380/420V 50Hz		60,000	17,585	10.00	2.93	6,000	415.0	386.1	473.8	487.2	432.5
3PH, 460V 60Hz	JBA071WAB	72,000	21,102	10.10	2.96	7,130	415.0	386.1	473.8	487.2	432.5
3PH, 380/420V 50Hz		60,000	17,585	10.00	2.93	6,000	415.0	386.1	473.8	487.2	432.5
3PH, 220V 60Hz	JBA071RAB	72,000	21,102	10.00	2.93	7,200	415.0	386.1	473.8	487.2	432.5

Inverter / Standard

Power Source	Model	COND:54.4°C / EVA:7.2°C					Dimensions (Inch)				
		Cooling Capacity		EER		Input	A	B	C	D	E
		Btu/hr	Watts	Btu/W.hr	w/w	w					
3PH, 380V 30~120Hz	JBB055DAA	57100	16,735	10.50	3.08	5440	415.0	386.1	473.8	487.2	-
3PH, 220V 30~120Hz	JBB055DBA	57100	16,735	10.50	3.08	5440	415.0	386.1	473.8	487.2	-

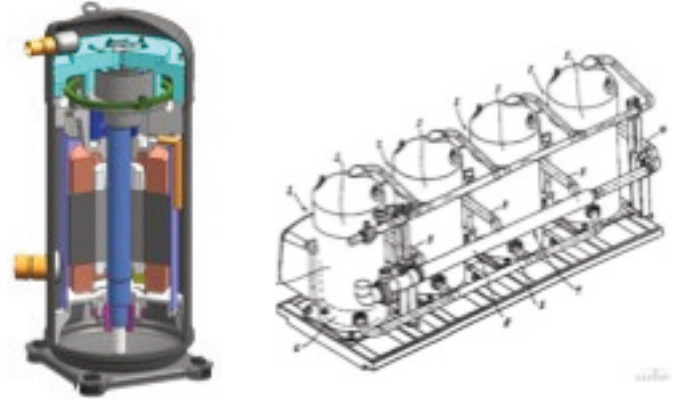
Inverter / Injection

Power Source	Model	COND:54.4°C / EVA:7.2°C					Dimensions (Inch)				
		Cooling Capacity		EER		Input	A	B	C	D	E
		Btu/hr	Watts	Btu/W.hr	w/w	w					
3PH, 380V 30~120Hz	JBA055DAB	56500	16,559	10.50	3.08	5380	415.0	386.1	473.8	487.2	432.5
3PH, 220V 30~120Hz	JBA055DBB	56500	16,559	10.50	3.08	5380	415.0	386.1	473.8	487.2	432.5



■ Features

- 15RT Constant Scroll
 - Oil / Refrigerant Control
 - Protection Device : PTC
- Tandem / Inverter('12)
 - Oil MGT / Reliable Operating

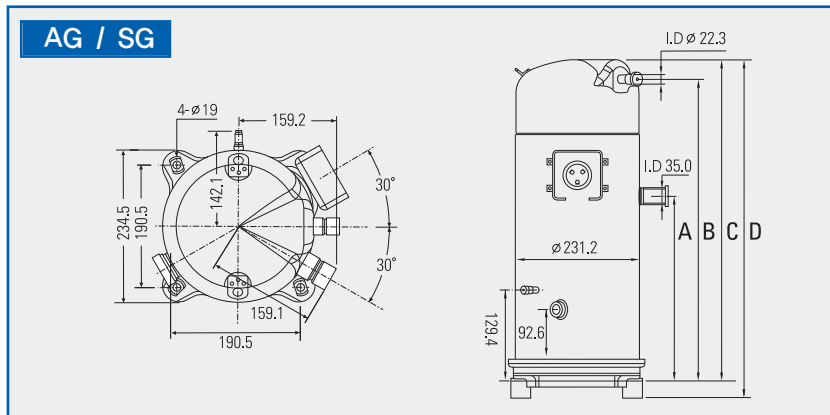


R410A

Power Source	Model	COND:54.4°C / EVA:7.2°C					Dimensions (Inch)			
		Cooling Capacity		EER		Input	A	B	C	D
		Btu/hr	Watts	Btu/W.hr	w/w	w				
3PH, 380-420V 60Hz	AG090UAA	90,000	26,377	10.8	3.17	8,333	143.9	527.2	562.9	576.9
	AG105UAA	105,000	30,774	11.0	3.22	9,545	143.9	527.2	562.9	576.9
	AG120UAA	120,000	35,170	11.2	3.28	10,714	143.9	527.2	562.9	576.9
	AG140UAA	140,000	41,032	11.2	3.28	12,500	143.9	527.2	562.9	576.9
	AG161UAA	160,000	46,893	11.2	3.28	14,286	143.9	527.2	562.9	576.9
	AG184UAA	184,000	53,927	11.2	3.28	16,429	143.9	527.2	562.9	576.9
3PH, 380-420V 50Hz	AG184WAA	153,000	44,842	11.10	3.25	13,784	143.9	527.2	562.9	576.9
3PH, 460V 60Hz	AG184WAA	182,000	53,341	11.10	3.25	16,396	143.9	527.2	562.9	576.9
3PH, 380-420V 50Hz	AG160WAA	133,000	38,980	11.00	3.22	12,091	143.9	527.2	562.9	576.9
3PH, 460V 60Hz	AG160WAA	159,600	46,776	11.00	3.22	14,509	143.9	527.2	562.9	576.9
3PH, 380-420V 50Hz	AG120WAA	100,000	29,308	11.00	3.22	9,091	143.9	527.2	562.9	576.9
3PH, 460V 60Hz	AG120WAA	120,000	35,170	11.00	3.22	10,909	143.9	527.2	562.9	576.9

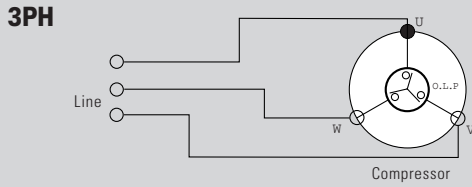
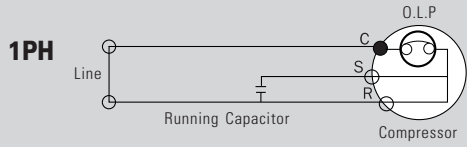
R22

Power Source	Model	COND:54.4°C / EVA:7.2°C					Dimensions (Inch)			
		Cooling Capacity		EER		Input	A	B	C	D
		Btu/hr	Watts	Btu/W.hr	w/w	w				
3PH, 380V 60Hz	SG160UAA	160,000	46,893	11.5	3.37	13,913	143.9	527.2	562.9	576.9
	SG140UAA	140,000	41,032	11.8	3.46	11,864	143.9	527.2	562.9	576.9
	SG120UAA	120,000	35,170	11.7	3.43	10,256	143.9	527.2	562.9	576.9
	SG105UAA	105,000	30,774	11.9	3.49	8,824	143.9	527.2	562.9	576.9
	SQ094UAA	94,000	27,550	11.8	3.46	7,966	143.9	527.2	562.9	576.9



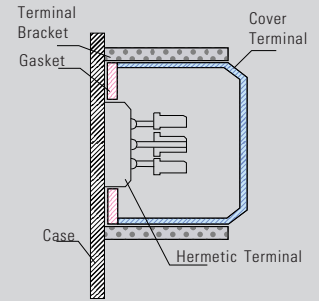
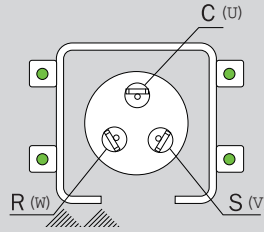
Wiring Diagram Scroll Compressor

for Internal OLP Wiring Diagram

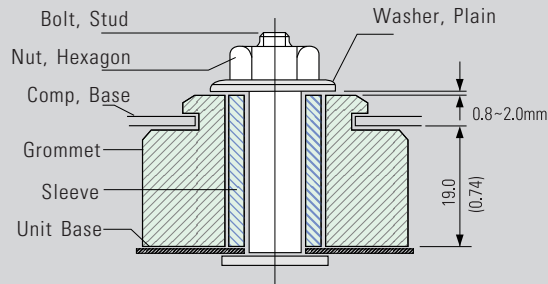


※ C.S.R mark is embossed on a Cover Terminal.

Cover Terminal Fitting



Mountings



unit : mm (inch)

Accessory Parts

Series	OLP Type	Standard Accessory			
		Cover Terminal	Gasket	Grommet	Sleeve
SQ	Internal	①	②	③	④
SB	Internal	①	②	③	④
SR	Internal	①	②	③	④

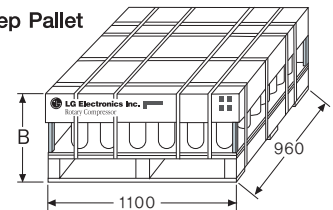


Packing & Container Stuffing Q'ty

unit : mm

Items	1 Step Pallet		2 Step Pallet		1 Container (20ft)					Remark
	Packing Q'ty	Size	Packing Q'ty	Size	Packing Q'ty	Pallet Q'ty				
		B		B		1 step	2 step	Acc'y	Total	
AP	12	510	24	950	576	-	24	1	25	
SQ/AQ/HQ	12	510	24	950	576	-	24	1	25	
SB/AB	12	510	24	950	432	12	12	1	25	
SR/AR/HR	12	580	24	1,100	432	12	12	1	25	

1 Step Pallet



2 Step Pallet

